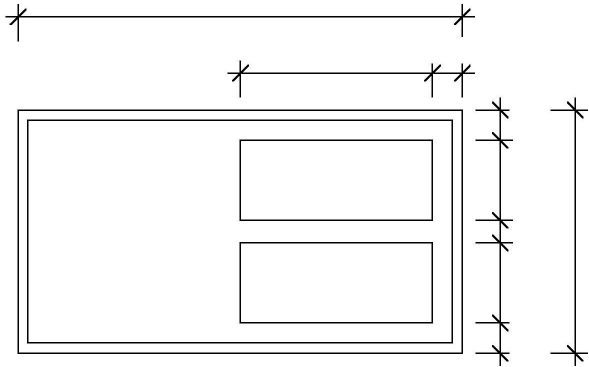
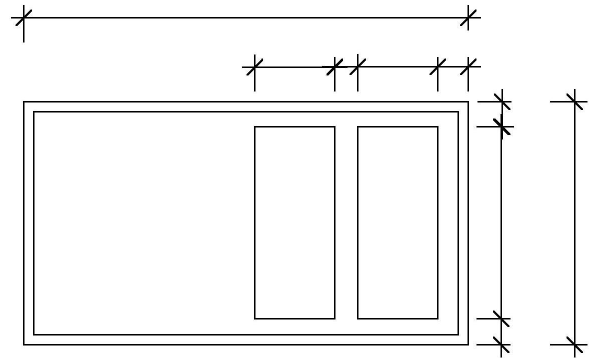


**TECO**  
Metal Products™

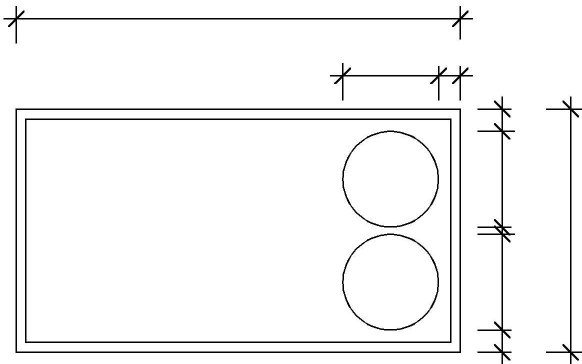
# Order Form for Adapter Curbs



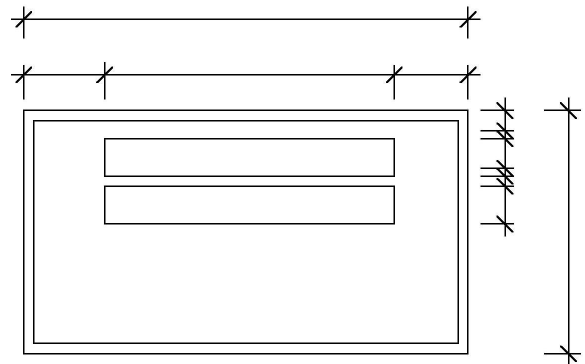
Model # \_\_\_\_\_ Qty. \_\_\_\_\_



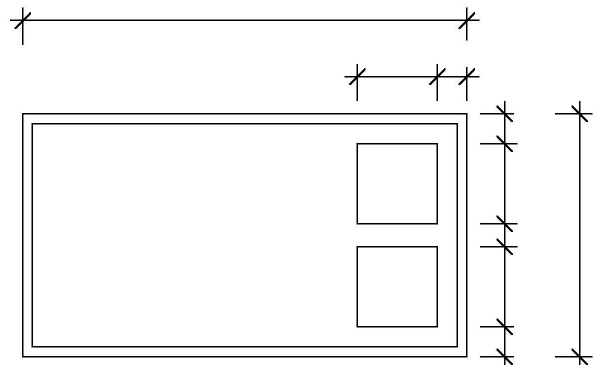
Model # \_\_\_\_\_ Qty. \_\_\_\_\_



Model # \_\_\_\_\_ Qty. \_\_\_\_\_



Model # \_\_\_\_\_ Qty. \_\_\_\_\_



Model # \_\_\_\_\_ Qty. \_\_\_\_\_

Please Indicate  
Supply & Return

TECO Metal Products, LLC.  
10880 Bekay St. #102  
Dallas, TX. 75038  
(214) 221-5020 Fax (214) 221-5040